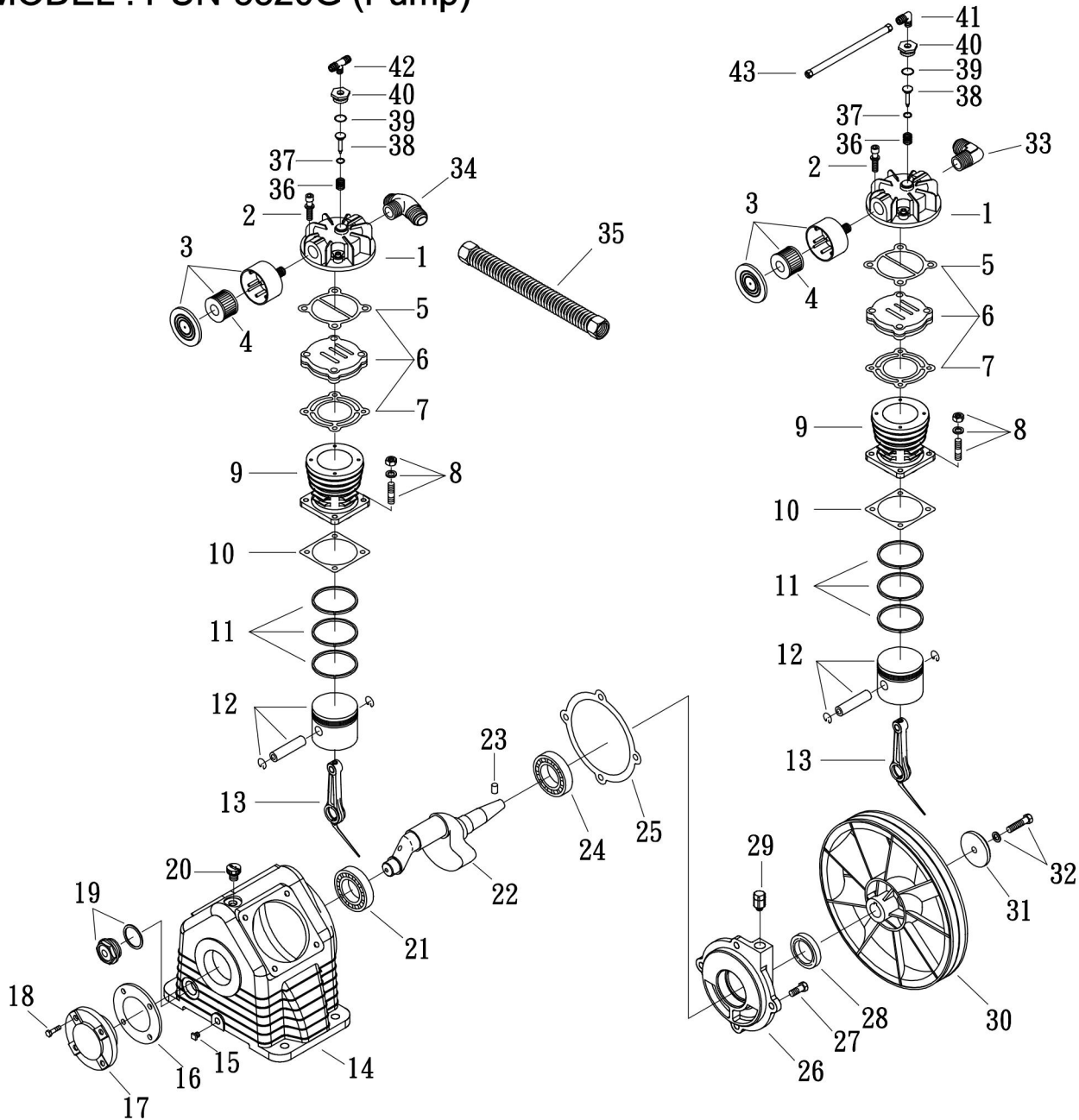


MODEL : PUN-5520G (Pump)

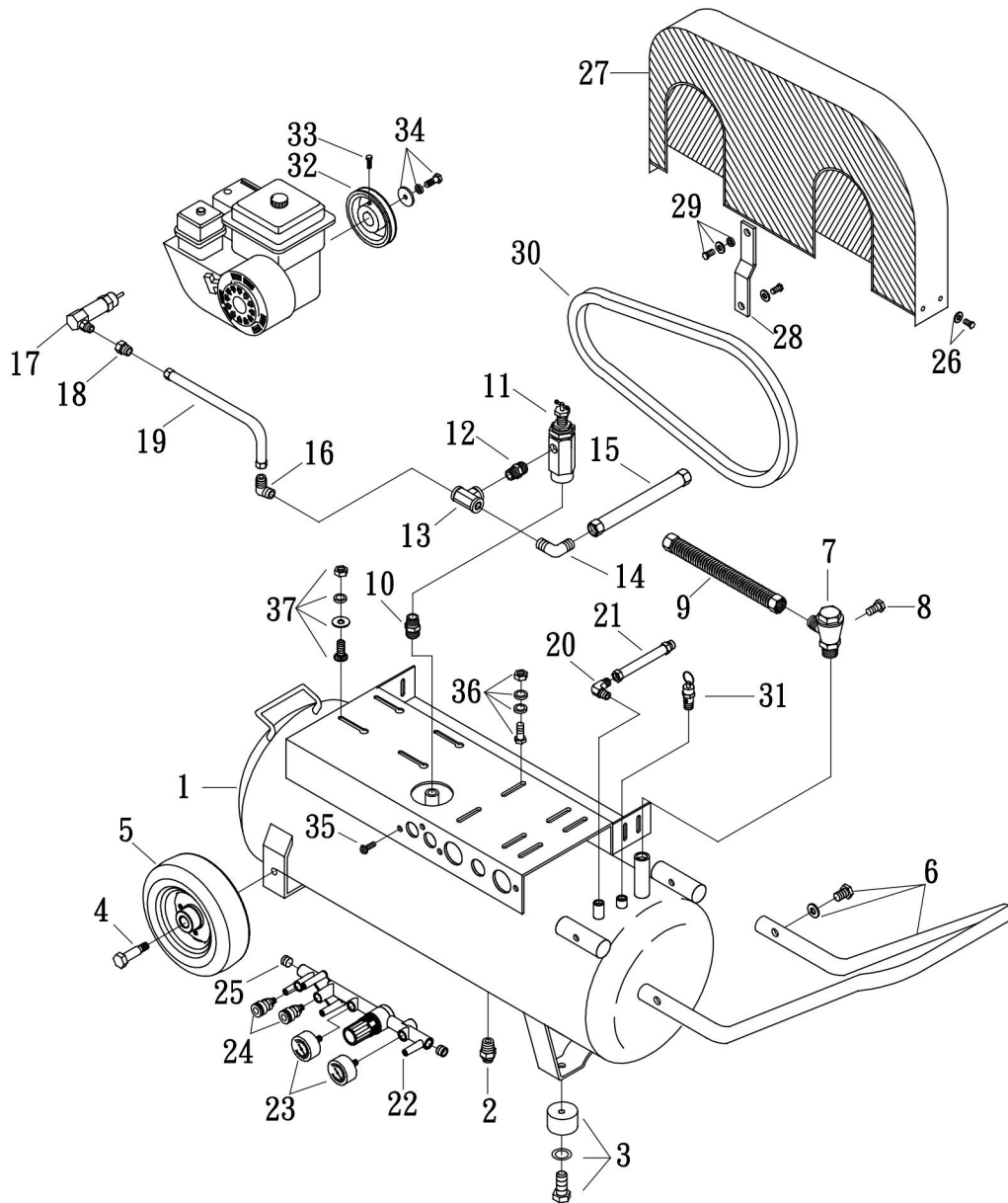


SPARE PARTS LIST

NO:MP-1906

REF. NO.	DESCRIPTION	PART NO.	QTY.	REF. NO.	DESCRIPTION	PART NO.	QTY.
1	Cylinder head	3101084	2	23	Pulley key	2N47-63*09	1
2	Allen bolt set	3B01-M06*040V	8	24	Bearing	2N35-6205Z	1
3	Air filter set	2140020A	2	25	Rear bearing seat gasket	2G06-008	1
4	Filter element	2142013	2	26	Rear bearing seat	3311034	1
5	Cylinder head gasket	2G01-015C	2	27	Hexagon bolt	2B00-SM08*020	4
6	In. & Ex. valve assembly	3B13-K5065C	2	28	Oil seal	2N50-TC24*47*07	1
7	Valve seat gasket	2G03-010H	2	29	Breathing cover	2321008	1
8	Double head screw set	3B11-001-A	8	30	Pulley	3PBF-105A124	1
9	Cylinder	3201083	2	31	Plate washer	2B30-08*35*35	1
10	Cylinder gasket	2G04-003	2	32	Hexagon bolt	3B00-SM08*035AV	1
11	Piston ring set	3B32-65N	2	33	Exhaust elbow	2N06-04T04HSS	1
12	Piston set	3B31-65N	2	34	Exhaust three way pipe	2N09-04H04T04H1C	1
13	Rod set	3B33-CK3033	2	35	Exhaust tube set	3B2-04*240	1
14	Crankcase	3301117	1	36	Unloading spring	2S03-001	2
15	Oil draining plug	2N33-002	1	37	O-ring	2N52-P06V	2
16	Front cover gasket	2G05-018	1	38	Unloading piston	2113007	2
17	Front cover	3309043A	1	39	O-ring	2N52-P16*3V	2
18	Hexagon bolt	2B00-SM06*020	4	40	Unloading nut	2B26-001	2
19	Oil sight gauge set	2303012A	1	41	Unloading elbow	2N06-01T02H	1
20	Oil filling plug set	2319003A	1	42	Unloading 3-way pipe	2N09-02H01T02H4	1
21	Bearing	2N35-6204	1	43	Unloading tube set	3B2-02*450N	1
22	Crankshaft & balancer	3304098	1				

MODEL : PUN-5520G (Receive Tank)



SPARE PARTS LIST

NO:MP-1906

REF. NO.	DESCRIPTION	PART NO.	QTY.	REF. NO.	DESCRIPTION	PART NO.	QTY.
1	Air tank	3401A047	1	20	Exhaust elbow	2N06-03T03H	1
2	Drain valve	2405011	1	21	Tube	2T06-035	1
3	Rubber pad set	3433015-A	2	22	Regulator	2408028	1
4	Tank wheel bolt	2418005	2	23	Pressure gauge	2D12-20D14KS	2
5	Tank wheel	2402032B	2	24	Quick coupler	07MS01/4M-B	2
6	Grip set	3432080A-A	1	25	Plug	2B14-ST02E	2
7	Check valve	2414025T	1	26	Hexagon bolt set	3B00-FM08*015W	5
8	Plug	2N33-001	1	27	Belt guard	3426013A	1
9	Exhaust tube set	3B2-04*440	1	28	Bracket	3427043A	1
10	Bushing	2N01-002	1	29	Hexagon bolt set	3B00-SM06*020VW	1
11	Pilot unloader valve	2407007	1	30	V-belt	2N31-A50	1
12	Nipple	2N01-01N01N	1	31	Pressure relief valve	2406018A	1
13	Brass 3-way pipe	2N03-C111NF	1	32	Engine plley	3PGF-035A1W0615	1
14	Exhaust elbow	2N06-01T02H	1	33	Hexagon bolt	2B07-SM08*16	2
15	Unloading tube set	3B2-02*300N	1	34	Hexagon bolt set	3B00-FW025S*10VW	1
16	Elbow	2N16-C01TW02M	1	35	Hexagon bolt	2B00-FM06*016W	4
17	Idling device	2423030	1	36	Motor feet blot set	3B08-FM08*42-G	4
18	Idling device nut	2B23-CW02FPU	1	37	Motor feet blot set	3B08-FM08*30-B	4
19	Tube	3T03-W02*0350G	1				